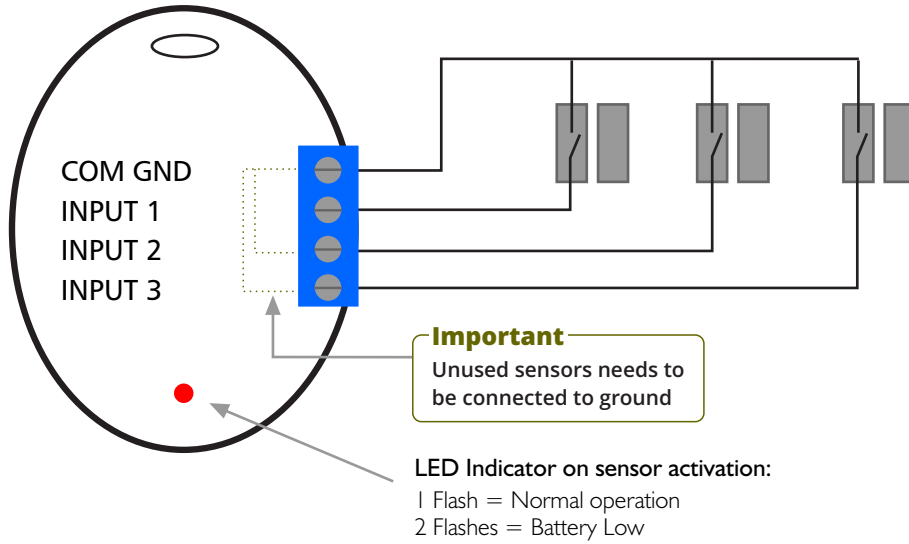


## THREE INPUT DOOR SENA



## DOOR SENA INSTALLATION NOTES

**1**

- Mount DIN rail receiver in DB board.
- For best signal strength antenna must be mounted out of DB board housing.
- Antenna must never be cut.

**2**

Mount Door Sensa and Magnetic Switchs at door or windows

**3** Hold the receiver LINK button until the LED starts flashing

**4** Then activate one magnetic input within 25 sec

### BATTERY REPLACEMENT

Pull Battery out from the top      Insert new Battery from the side

**1**      **2**      **3**