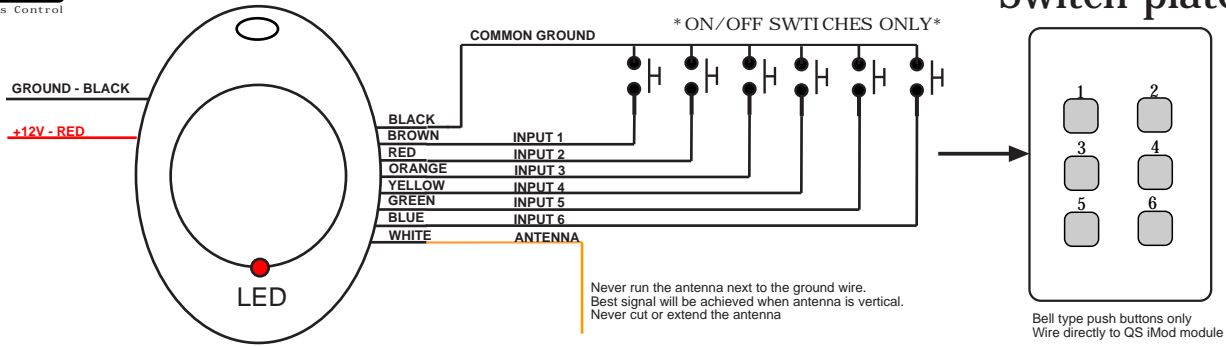
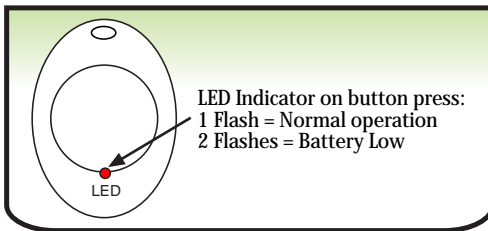


iMod DC (ON/OFF) Installation

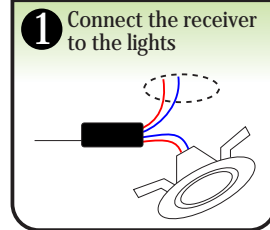
Switch-plate



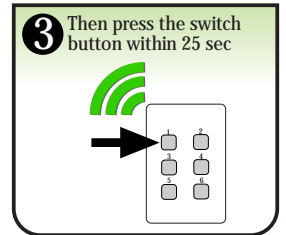
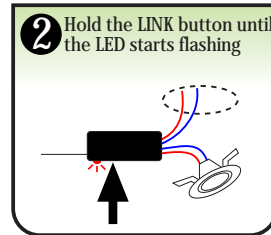
LED INDICATOR



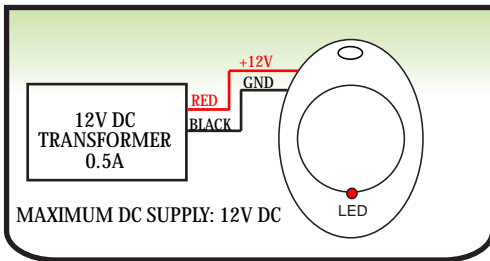
Button Linking:



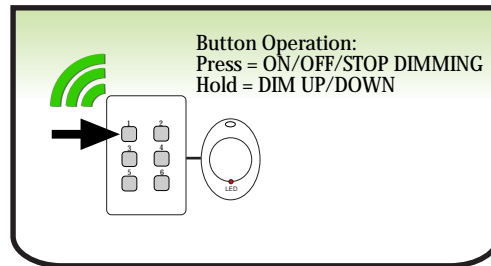
To unlink a button: Repeat steps 2&3.



POWER SUPPLY WIRING

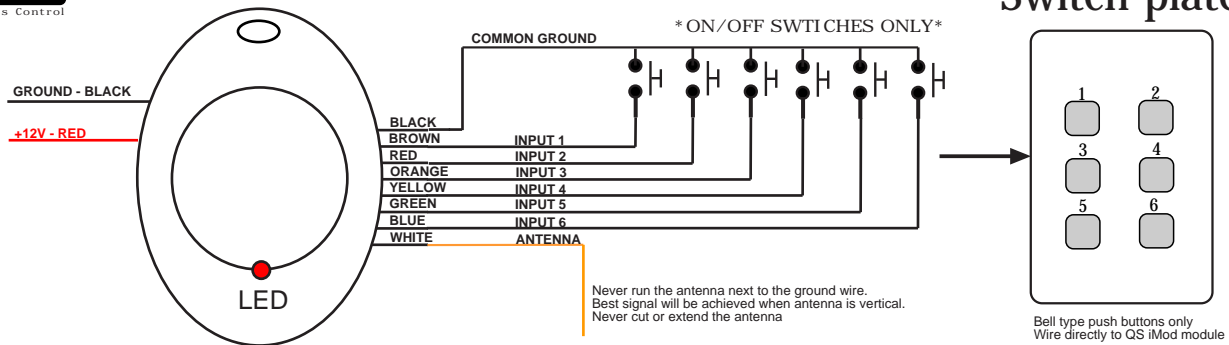


BUTTON OPERATION

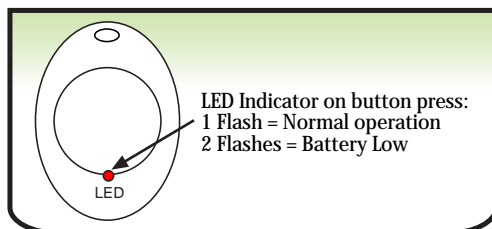


iMod DC (ON/OFF) Installation

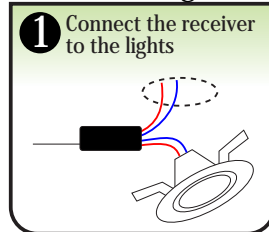
Switch-plate



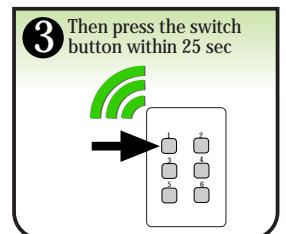
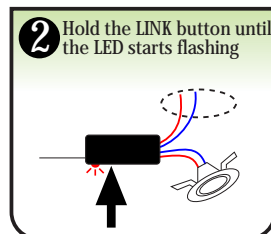
LED INDICATOR



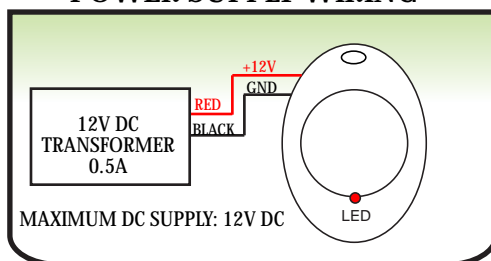
Button Linking:



To unlink a button: Repeat steps 2&3.



POWER SUPPLY WIRING



BUTTON OPERATION

