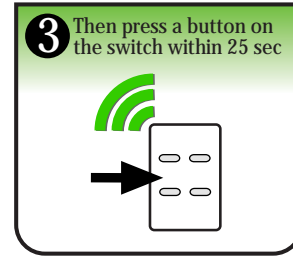
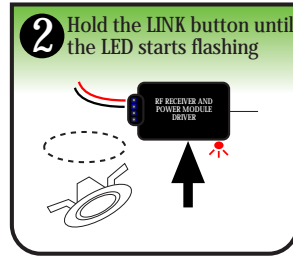
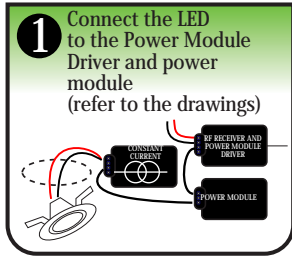
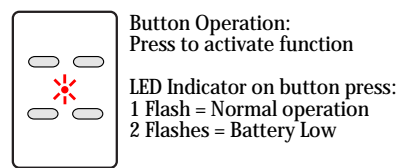


# Qwik-Switch LED RF POWER MODULE INSTALLATION

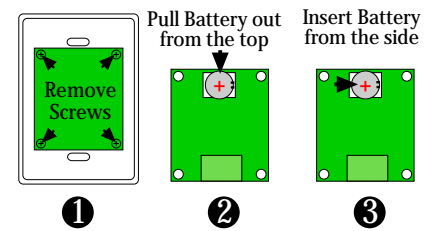


To unlink a button: Repeat steps 2&3.  
 To clear all links in a Receiver: Hold the Link Button until the LED is ON solid (10 sec) then release.  
 A Receiver can link up to 30 different buttons.  
 Mount the Switch with double-sided tape or clip off the outer surround to expose standard 2x4 mounting holes.

## Transmitter:



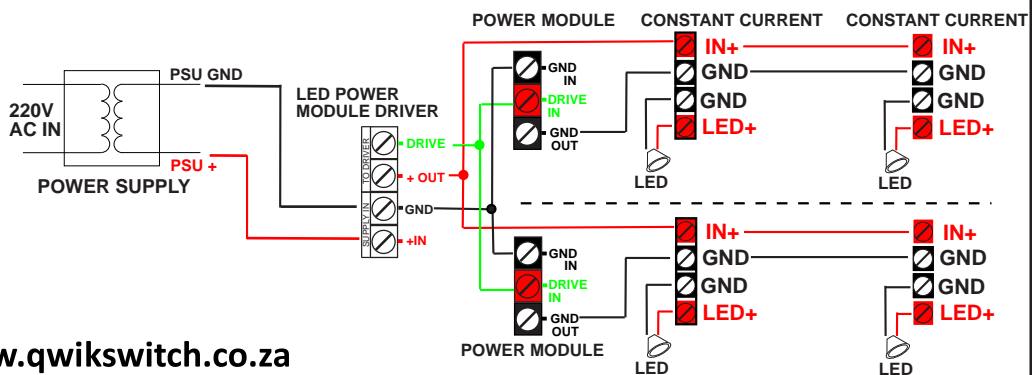
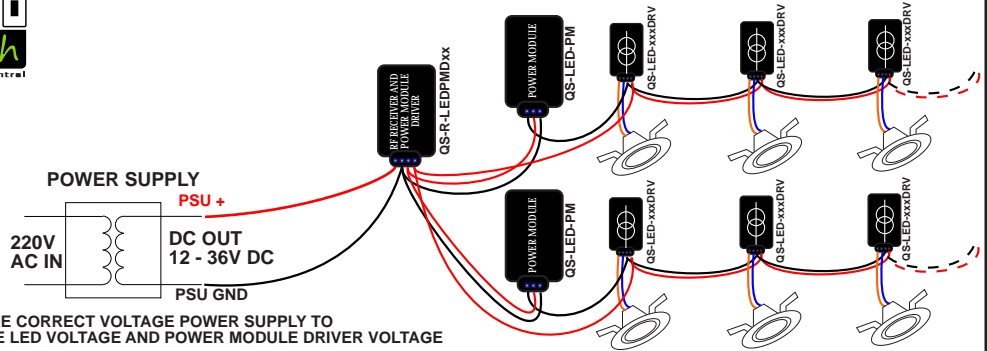
## BATTERY REPLACEMENT



LED will flash 3 times to indicate successful power-up.

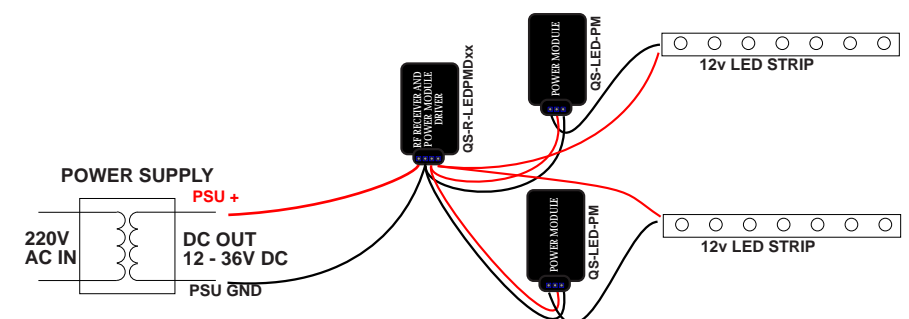
[www.qwikswitch.co.za](http://www.qwikswitch.co.za)

# Qwik-Switch LED dimming system - Wireless control (Option 1)

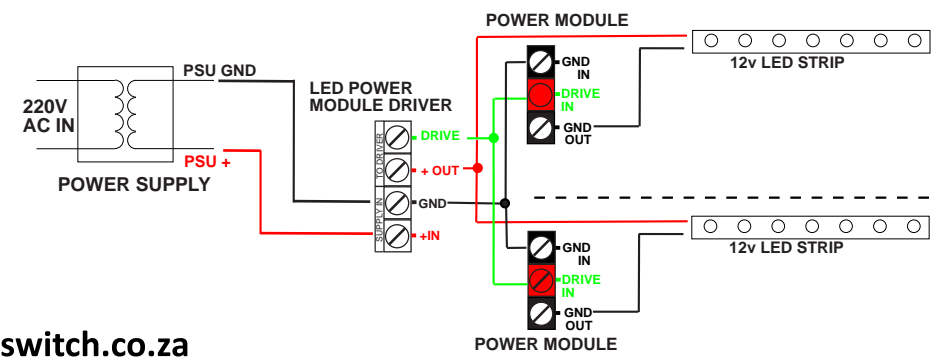


[www.qwikswitch.co.za](http://www.qwikswitch.co.za)

# Qwik-Switch LED dimming system - Wireless control (Option 2)



SELECT THE CORRECT VOLTAGE POWER SUPPLY TO MATCH THE LED VOLTAGE AND POWER MODULE DRIVER VOLTAGE



[www.qwikswitch.co.za](http://www.qwikswitch.co.za)



## LED DIMMING NOTES

### GENERAL NOTES:

- 1) Maximum load of 3A per LED POWER MODULE
- 2) Maximum of one LED per CONSTANT CURRENT LED Driver
- 3) LED must be a DC dimmable type
- 4) Chose the correct driver for the LED used: 350mA, 500mA and 700mA types available
- 5) Power supply to be DC out, correct voltage, Current 30% higher than load
- 6) Compatible with most Qwik-Switch Transmitters

### OPTION 1:

- Use for discrete LED downlighters
- Shared Power Supply and Transmitter
- Set power supply to correct VOLTAGE
- Maximum of 3A load per Power Module

### OPTION 2:

- Use for DC LED strip
- Shared Power Supply and Transmitter
- Set power supply to correct VOLTAGE
- Maximum of 3A load per Power Module

[www.qwikswitch.co.za](http://www.qwikswitch.co.za)