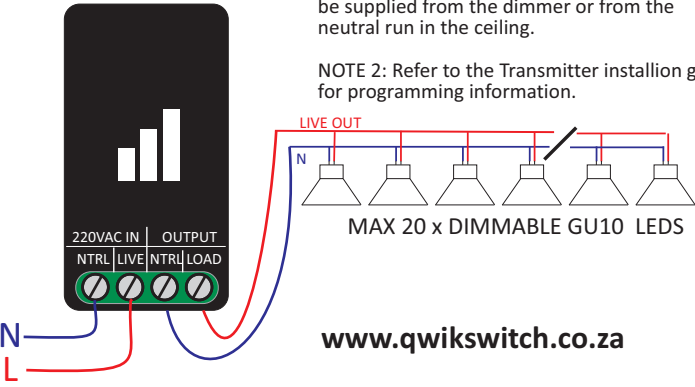




LED DIMMER RECEIVER MODEL: QS-R-LEDGU10

NOTE 1: Neutral to the GU10 LEDs may be supplied from the dimmer or from the neutral run in the ceiling.

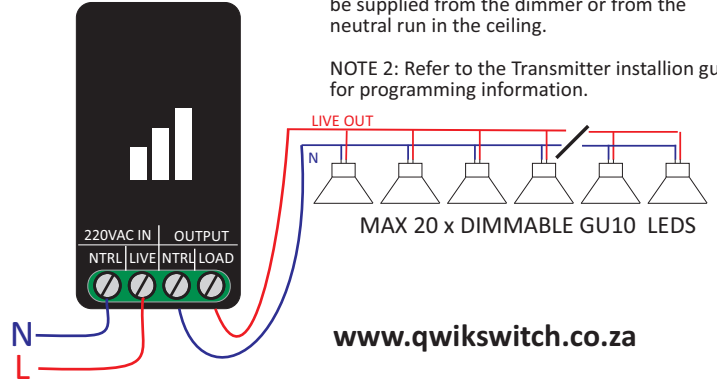
NOTE 2: Refer to the Transmitter installation guide for programming information.



LED DIMMER RECEIVER MODEL: QS-R-LEDGU10

NOTE 1: Neutral to the GU10 LEDs may be supplied from the dimmer or from the neutral run in the ceiling.

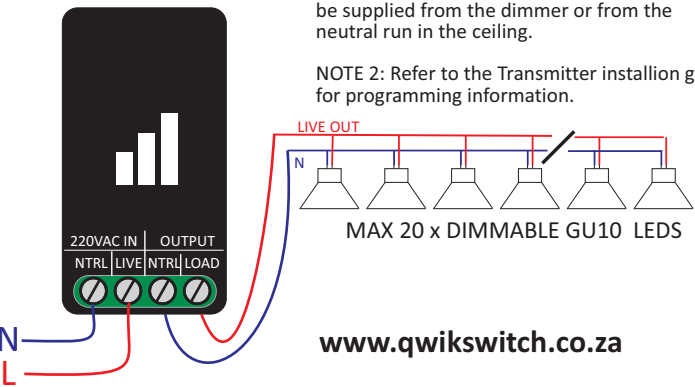
NOTE 2: Refer to the Transmitter installation guide for programming information.



LED DIMMER RECEIVER MODEL: QS-R-LEDGU10

NOTE 1: Neutral to the GU10 LEDs may be supplied from the dimmer or from the neutral run in the ceiling.

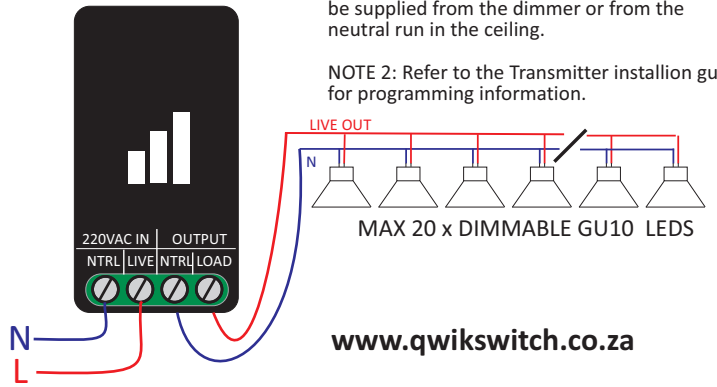
NOTE 2: Refer to the Transmitter installation guide for programming information.



LED DIMMER RECEIVER MODEL: QS-R-LEDGU10

NOTE 1: Neutral to the GU10 LEDs may be supplied from the dimmer or from the neutral run in the ceiling.

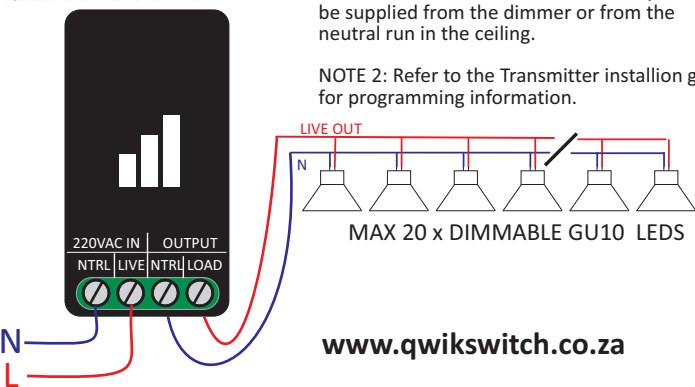
NOTE 2: Refer to the Transmitter installation guide for programming information.



LED DIMMER RECEIVER MODEL: QS-R-LEDGU10

NOTE 1: Neutral to the GU10 LEDs may be supplied from the dimmer or from the neutral run in the ceiling.

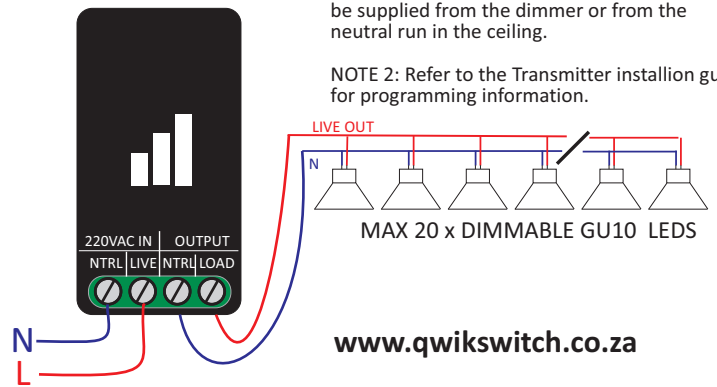
NOTE 2: Refer to the Transmitter installation guide for programming information.



LED DIMMER RECEIVER MODEL: QS-R-LEDGU10

NOTE 1: Neutral to the GU10 LEDs may be supplied from the dimmer or from the neutral run in the ceiling.

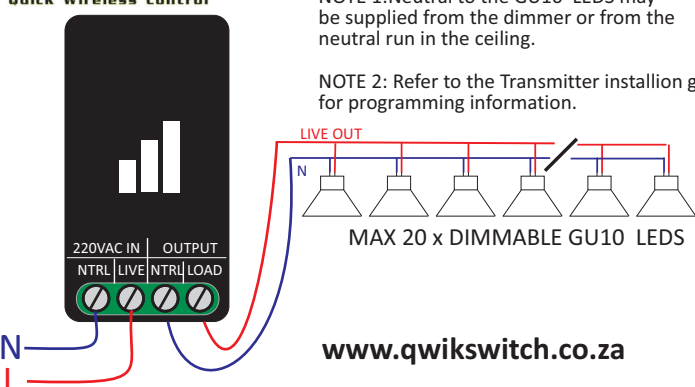
NOTE 2: Refer to the Transmitter installation guide for programming information.



LED DIMMER RECEIVER MODEL: QS-R-LEDGU10

NOTE 1: Neutral to the GU10 LEDs may be supplied from the dimmer or from the neutral run in the ceiling.

NOTE 2: Refer to the Transmitter installation guide for programming information.



LED DIMMER RECEIVER MODEL: QS-R-LEDGU10

NOTE 1: Neutral to the GU10 LEDs may be supplied from the dimmer or from the neutral run in the ceiling.

NOTE 2: Refer to the Transmitter installation guide for programming information.

