

12V DC PULSE RELAY RECEIVER

MODEL: QS-R-S12P

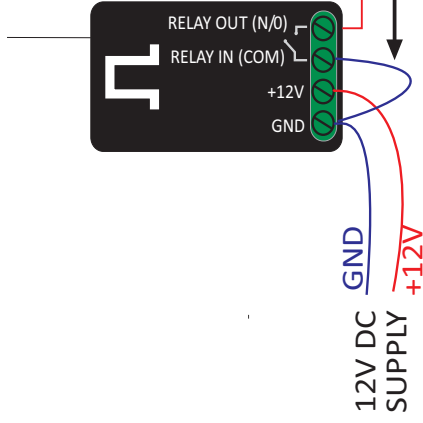
12V DC PULSE RELAY RECEIVER

MODEL: QS-R-S12P



NOTES:

- 1) Maximum DC supply: 15V dc
Minimum DC supply current: 100mA
Please take note of polarity
- 2) The N/O output will close for +1 sec with a button press or as long as the button is held.
- 3) This is a Normally-Open Dry-contact relay, capable of switching any load (Max 5A/1000w)
- For a 12V GND output: Insert a LINK between the RELAY IN (COM) and the GROUND terminals.
- For any other output voltage: Insert the supply voltage on the RELAY IN (COM) terminal and connect the RELAY OUT (N/O) terminal to the load



12V DC SUPPLY

GND

+12V

SWITCHED OUTPUT TO LOAD (Max 5A/1000w)

ONLY INSERT A LINK FOR 12V GND OUTPUT

www.qwikswitch.co.za

12V DC PULSE RELAY RECEIVER

MODEL: QS-R-S12P

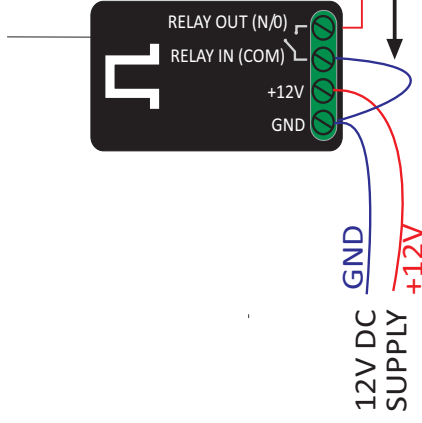
12V DC PULSE RELAY RECEIVER

MODEL: QS-R-S12P



NOTES:

- 1) Maximum DC supply: 15V dc
Minimum DC supply current: 100mA
Please take note of polarity
- 2) The N/O output will close for +1 sec with a button press or as long as the button is held.
- 3) This is a Normally-Open Dry-contact relay, capable of switching any load (Max 5A/1000w)
- For a 12V GND output: Insert a LINK between the RELAY IN (COM) and the GROUND terminals.
- For any other output voltage: Insert the supply voltage on the RELAY IN (COM) terminal and connect the RELAY OUT (N/O) terminal to the load



12V DC SUPPLY

GND

+12V

SWITCHED OUTPUT TO LOAD (Max 5A/1000w)

ONLY INSERT A LINK FOR 12V GND OUTPUT

www.qwikswitch.co.za

www.qwikswitch.co.za