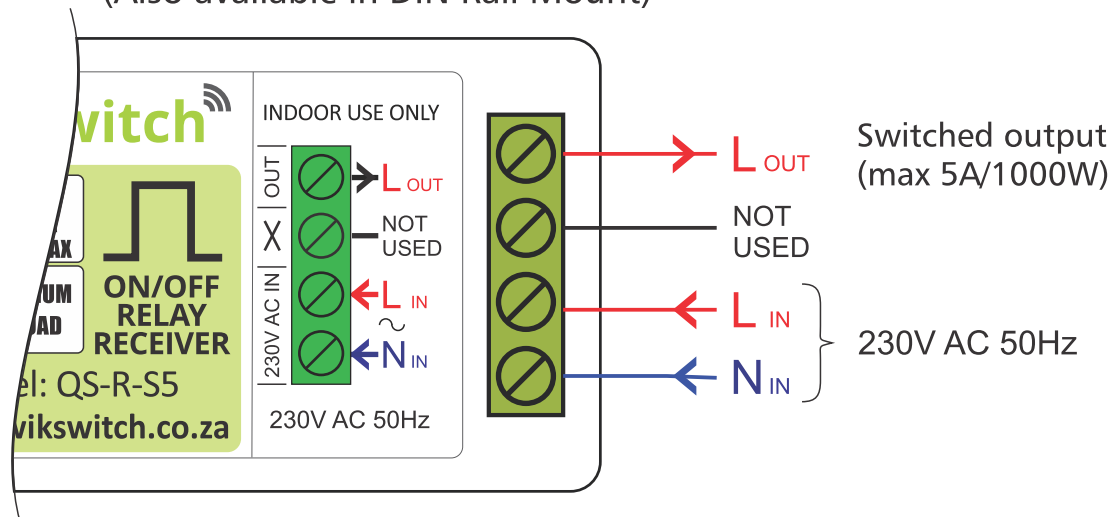


# QwikSwitch<sup>®</sup>

(Also available in DIN Rail Mount)



## Specifications

- 1 Channel Relay Receiver - 5A Resistive load max
- 230VAC powered - 50hz
- Radio frequency: 868MHz
- Distance: 30m through walls and floors; 100m line-of-sight
- Dimensions: 86mm (L) x 36mm (W) x 29mm (H)

## Linking

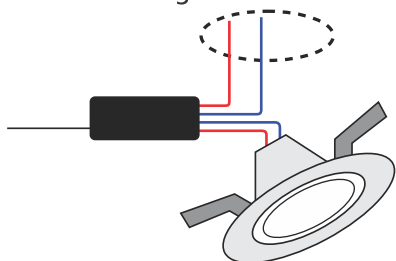
1. Hold LINK/TEST BUTTON in until LED flashes, then release.
2. Press the button on the transmitter....done.
3. Repeat steps 1 & 2 for each additional transmitter button required to be linked.

### To unlink:

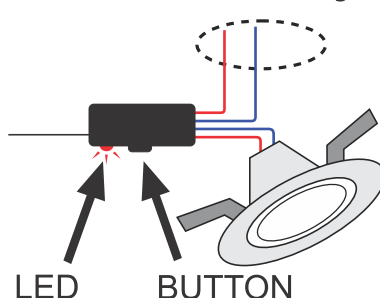
4. To unlink a single transmitter button: Repeat steps 1 & 2 of the linking procedure.
5. To clear all links in a receiver: Hold the LINK/TEST BUTTON in for approx. 10 seconds until the LED is ON solid, then release.

## Linking to a receiver:

1. Connect the receiver to the lights



2. Hold the LINK button until the LED starts flashing



3. Then press a button on the switch within 25 sec



**3 YEAR WARRANTY**  
**www.qwikswitch.co.za**