

Ecowatt 5A Relay Receiver with 1x Input & 1x CT input November 2013

SPECIFICATIONS:

Input supply: 230v AC 50Hz
DIN rail mount

Model: EW-R-55DIN-IPCT

LOAD SPECIFICATIONS:

Resistive Load: 1000w (5A AC) - Halogen bulbs, elements etc.
Inductive: 250w - Motors, Contactors etc. See NOTE 8

LINKING:

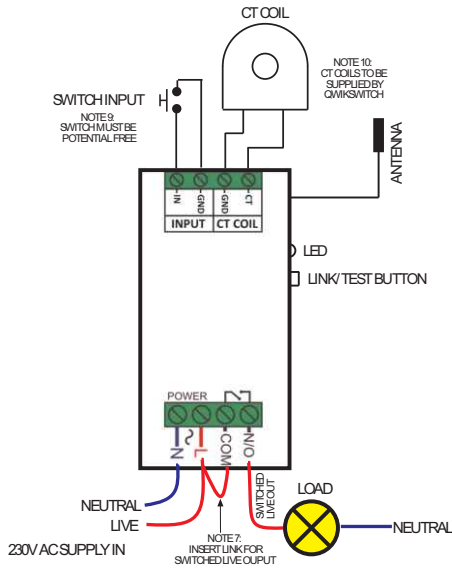
1. Hold LINK/TEST BUTTON in until LED flashes, then release.
2. Press the button on the transmitter....done
3. Repeat steps 1 & 2 for each additional transmitter button required to be linked.

UNLINK:

4. To Unlink a single transmitter button: Repeat steps 1 & 2 of the linking procedure.
5. To clear all links in a receiver: Hold the LINK/TEST BUTTON in for approx. 10 seconds until the LED is ON solid, then release.

NOTES:

6. A receiver can link up to a maximum of 30 different buttons.
7. For a switched LIVE output: Add a link wire from the LIVE terminal to the COM terminal.
8. For inductive loads a SNUBBER might be required, contact Ecowatt for further information.
9. The switch must be potential/voltage free.
10. CT coils are specially designed for this unit and must be supplied by Ecowatt



Important:

When specifying a CT range for clients please bear the following in mind regarding the rating we give CT's. For example, the 0-30A CT can measure up to 30A, which is true, but this is 30A peak current. When a client needs a CT they refer to the RMS (root mean square) current. So if they want a 30Amp CT they actually need one to measure $30A \times \text{square root } 2$ to give you the peak value, in this case 42,426406871A. In this case they need to go for the 60A CT version.

To determine what size CT to specify for the client, take the current that they require to be monitored and multiply this by 1,414213562 (square root of 2). Then pick the range of CT's we have and make sure the selected one is greater than this value.

This applies to all CT's. If a client wants to use their own X:5A CT then this is fine, but they must be informed that 5A is the peak current. For example if the client wants to use their own 600:5 CT, in reality this means we can only measure $(600/\text{square root } 2) = 424A$ max RMS, so if their maximum is more than this then they need to use a larger CT.

If anything is unclear please do not hesitate to contact Ecowatt for further assistance.