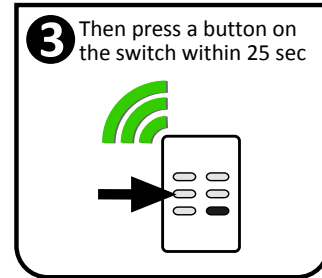
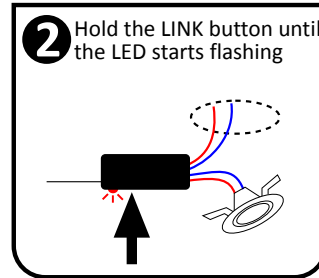
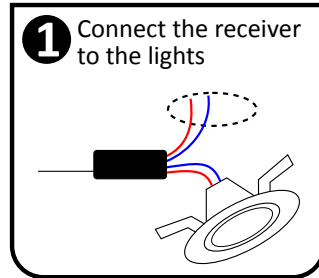


To unlink a button: Repeat steps 2&3.

To clear all links in a Receiver: Hold the Link Button until the LED is ON solid (10 sec) then release.

A Receiver can link up to 30 different buttons.

Mount the Switch with double-sided tape or clip off the outer surround to expose standard 2x4 mounting holes.



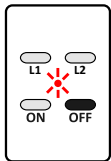
To unlink a button: Repeat steps 2&3.

To clear all links in a Receiver: Hold the Link Button until the LED is ON solid (10 sec) then release.

A Receiver can link up to 30 different buttons.

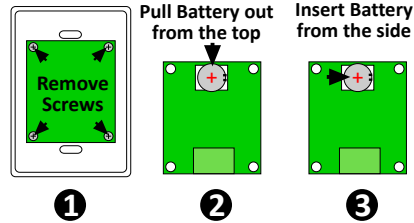
Mount the Switch with double-sided tape or clip off the outer surround to expose standard 2x4 mounting holes.

Transmitter:



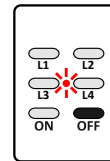
LED Indicator on button press:
1 Flash = Normal operation
2 Flashes = Battery Low

BATTERY REPLACEMENT



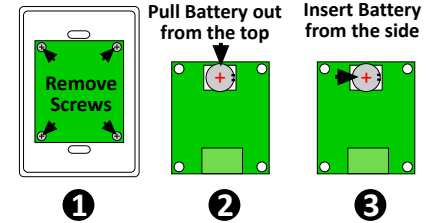
LED will flash 3 times to indicate successful power-up.

Transmitter:



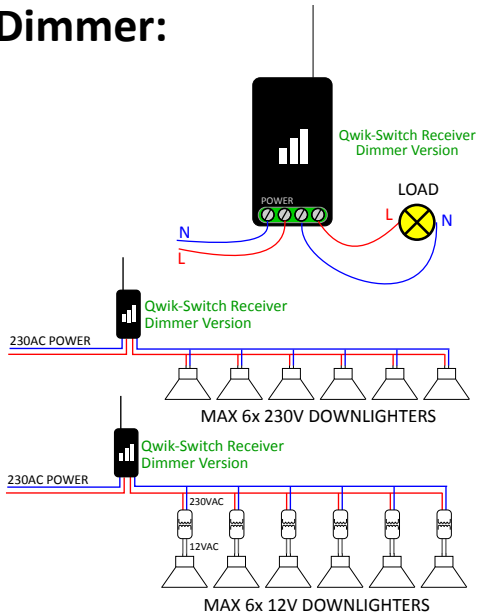
LED Indicator on button press:
1 Flash = Normal operation
2 Flashes = Battery Low

BATTERY REPLACEMENT

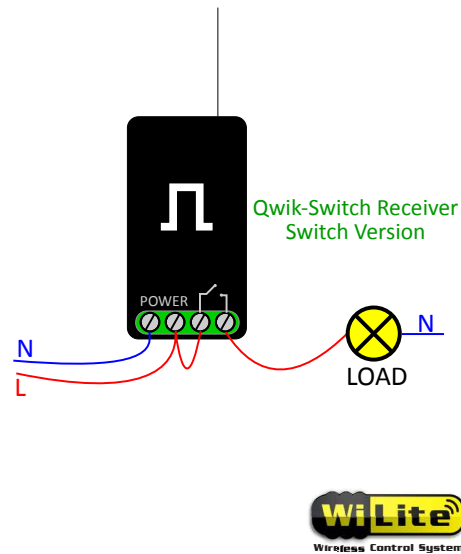


LED will flash 3 times to indicate successful power-up.

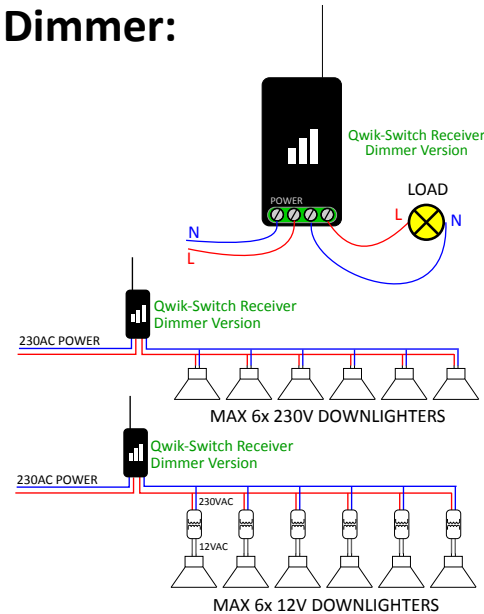
Dimmer:



Switch:



Dimmer:



Switch:

